

- 6 axes robots
- Scara robots

6 axes robots
for 4-20 Kg application.

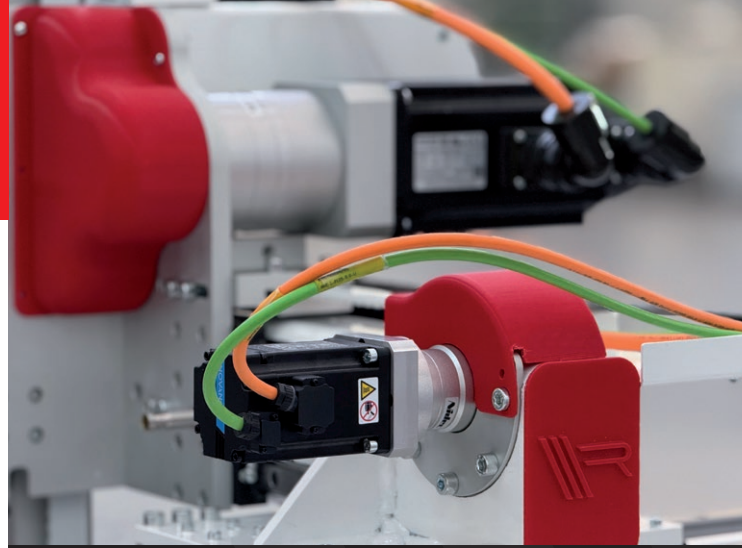


MODEL	Max load (Kg)	Action range (mm)	Voltage/Frequency (V/Hz)
4 RBA4 560	4	560	230/50-60
7 RBA7 700	7	700	
RBA7 900		900	
RBA10 900	10	900	
RBA10 1100		1100	
RBA10 1420		1420	
11 RBA11 900	11	900	
20 RBA20 1720	20	900	

Robots with 4°
direction movement
4-20 Kg.



MODEL	Nom. load (Kg)	Max load (Kg)	Action range (mm)	Axes J1-J2 length (mm)	Cycle time (s)	Voltage/Frequency (V/Hz)
4 RBX4 400	2	4	400	225 x 175	0,34	230/50-60
RBX7 500	3	7	500	225 x 275	0,34	
RBX7 600			600	325 x 275	0,36	
RBX7 700			700	425 x 275	0,38	
RBX10 600	5	10	600	225 x 375	0,36	
RBX10 700			700	325 x 375	0,39	
RBX10 800			800	425 x 375	0,41	
20 RBX20 800	10	20	800	225 x 375	0,36	
RBX20 1000			1000	325 x 375	0,38	



via Maestro A. Ceccon, 5/E
35010 Loreggia (PD) - Italy
tel. +39 049 6895466
mob. +39 335 1830526
info@robomatix.it

www.robomatix.it



- 3 axes robot for IMM
- 6 axes robot and IML
- Scara robot
- Automation
- AI vision system

italian technology

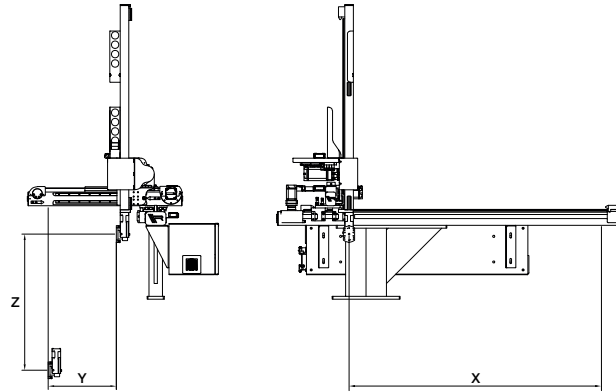


• Cartesian robots

Cartesian robots from 40-2000 ton IMM.



Touch Screen Control Panel

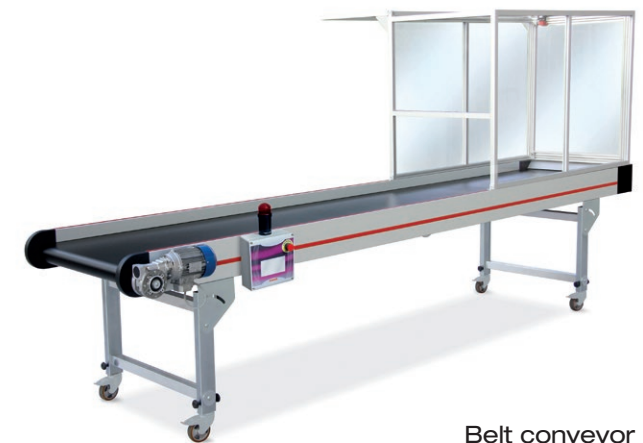


	MODEL	Max load (Kg)	Axes Z-Y-X stroke (mm)	Installed power (W)	Voltage/Freq. (V/Hz)	IMM (ton)
XS	XF 800-3M-1500	3	800 x 400 x 1500	1550	230/50-60	40÷120
	XF 1000-3M-2000		1000 x 400 x 2000			
S	XF 1000-5M-1500	5	1000 x 400 x 1500	1550	230/50-60	60÷180
	XF 1200-5M-2000		1200 x 400 x 2000			
M	XF 1200-5M-2500	10	1200 x 400 x 2500	2400	230/50-60	150÷350
	XF 1200-10M-2000		1200 x 600 x 2000			
	XF 1400-10M-2000		1400 x 600 x 2000			
	XF 1400-10M-2500		1400 x 600 x 2500			
	XF 1400-10T-3000		1400 x 600 x 3000			
	XF 1400-10T-2000		1400 x 600 x 2000			
L	XF 1400-10T-2500	15	1400 x 600 x 2500	4000	400/50-60	300÷650
	XF 1400-15M-2500		1400 x 1000 x 2500			
	XF 1400-15M-3000		1400 x 1000 x 3000			
	XF 1400-15M-3500		1400 x 1000 x 3500			
	XF 1800-15T-2500		1800 x 1000 x 2500			
	XF 1800-15T-3000		1800 x 1000 x 3000			
XL	XF 1800-15T-3500	25	1800 x 1000 x 3500	5500	400/50-60	400÷850
	XB 1400-25M-2500		1400 x 1200 x 2500			
	XB 1400-25M-3000		1400 x 1200 x 3000			
	XB 1400-25M-3500		1400 x 1200 x 3500			
	XB 1800-25T-2500		1800 x 1200 x 2500			
XXL	XB 1800-25T-3000	40	1800 x 1200 x 3000	8000	400/50-60	850÷2000
	XB 1800-25T-3500		1800 x 1200 x 3500			
	XB 2500-40T-3000		2500 x 1600 x 3000			
	XB 2500-40T-3500		2500 x 1600 x 3500			
	XB 2500-40T-4000		2500 x 1600 x 4000			

• Automation



Electric/pneumatic gripper



Belt conveyor for robot solutions

